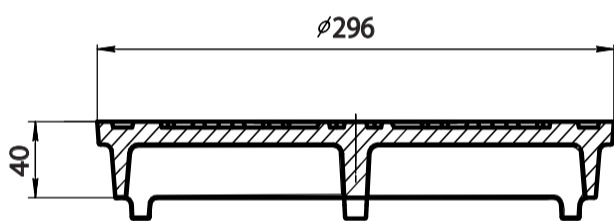
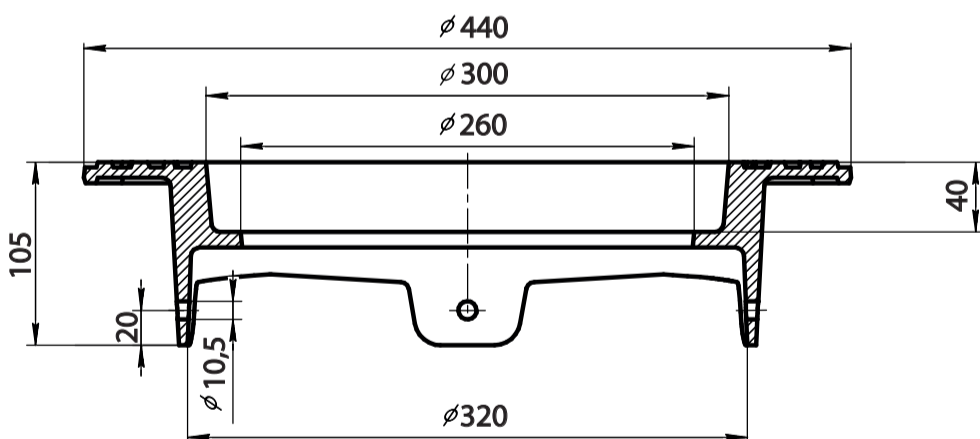


Cover art. 315M D400



Standard	EN124 : 1994
EN 124 Class	D400
Place of installation	Carriageways of roads
Material	Ductile Cast Iron
Packing	Wooden Palets
Quantity per Pallet	48-54 sets

Frame art. 315Fnn D400



VALURA®

Valura Oy, Birger Kaipiainen piha 3 C 29, FI-00560, Helsinki

info@valura.fi www.valura.fi

